

Adjusting Elapsed Time Clock Speed

If the clock is running too slow or fast, press and hold the ▼ key while applying power to the EH60. Press the ▼ key to slow the clock speed. Press the ▲ key to increase clock speed. Press the + key to save the Clock Speed calibration information.

Installation

Before starting the installation, please read this entire section first. Be sure to install the bulkhead gasket before you install the instrument. Finger tighten the screws that mount the instrument bracket - do not use tools.

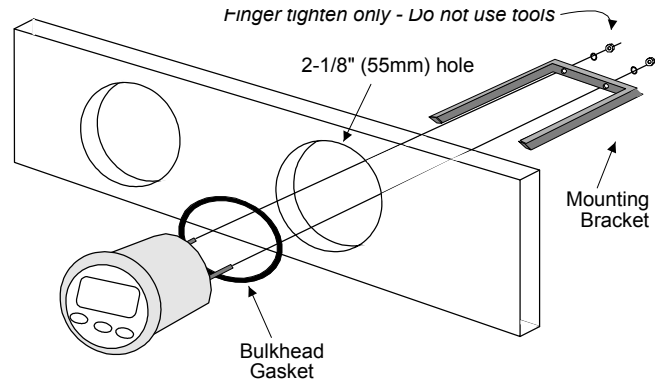


Figure 1

Setting the Maintenance Alarm

While displaying Engine Hours, press and hold the + key for ten (10) seconds. You will hear a long beep and the EH60 will display the Maintenance Alarm value in full hours. Press the ▲ and ▼ keys to set the desired alarm value (0 to 9,999 hours). Press the + key to save your entry. The maintenance alarm will count down to zero whenever power is applied to the EH60B. When it reaches zero, the alarm will sound and the display will flash the engine hours. Press any key to silence the maintenance alarm. A value of zero disables this feature.

connections to the screw terminal on the instrument case back as shown in figure 2.

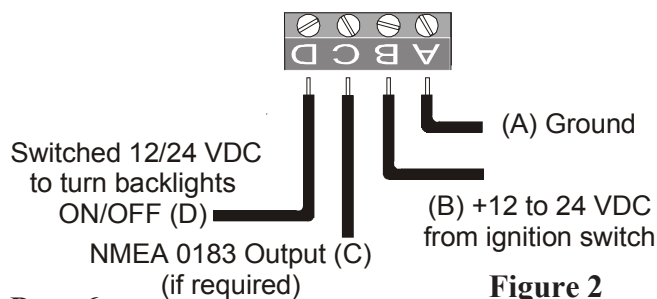
- Carefully check all your wiring against those shown in figure 2. If everything is wired correctly, turn on the ignition switch and check the operation.

When mounting the EH60 in the instrument hole use only finger tension to tighten the bracket hold-down nuts. Do not overtighten the bracket or you may damage the case.

Mounting and Wiring

- Drill a 2-1/8" (55mm) mounting hole where you desire to mount the instrument (Figure 1).
- Bring the power and ground lines out of the mounting hole and use a small flat screwdriver to make the

ALL WIRES AWG
18 - 22 GAUGE (0.6 - 1.0 mm)



Page 6

Figure 2

Operation

Key Functions

The **▼+** and **▲** keys are used to select Engine Hours, Elapsed time, set backlight levels, calibrate the instrument and set the engine hours maintenance alarm values. After changes are made, the new information is automatically saved to memory.

Backlight Intensity

Press the **+** key for 1/2 second to adjust the backlight level for nighttime viewing. Each time you press the "+" key, the level will get brighter 1, 2, 3, 4, OFF, 1, 2, ..., etc. Screw terminal "D" must be switched or connected to +12/24 VDC for the backlights to operate.

Page 8

Presetting Engine Hours

If the engine is not new when connecting the EH60, you might wish to preset the Engine Hours to a value. Turn off the power. Press and hold the **▲** key while reapplying power to the EH60 to change the Engine Hours value. Use the **▲** and **▼** keys to adjust the engine hours and press the **+** key to save the new value.

Page 11

Displaying Engine Hours, Elapsed Time

To display Engine Hours press the **+** or **▲** keys. To display Elapsed Trip Time, press the **▼** key.

Clearing Elapsed Time

While viewing Elapsed Time, press and hold the **+** key for ten (10) seconds. You will hear a long beep and the elapsed trip time will restart counting from 0:00.

Page 9