

Other CruzPro Products

- Depthsounder, Fishfinder, Active Transducers
- Speed/Log/w Water Temperature Display
- DC Volts/Amps/Amp-Hour Monitors
- AC Volts/Amps/Frequency/kW Monitor
- LPG/Petrol Gas Detectors/Alarms
- Bilge Water Detector/Alarms & Pump Controllers
- Windlass Controller/Chain Counter
- Digital Fuel Gauge/Consumption Calculator
- Smart and Manual Alternator Regulators
- Marine Security System
- RPM/Engine Hours/Elapsed Time Gauge
- Digital Oil Pressure Gauge/Alarm
- Digital Water Temperature Gauge/Alarm
- Digital Amps Gauge
- 3 Bank Digital Volts Gauge/Alarm
- Digital Clock/Watch/Race Timers/Alarms
- 8 and 16 Amp Light Dimmers
- Battery Voltage Monitors/Alarms
- Solar Panel Charge Controllers
- 4 & 8 Channel NMEA Combiners/RS-232 Convertors
- Engine/Exhaust Temperature Monitor/Alarm

Full details at <http://www.cruzpro.com>
Email to: info@cruzpro.com

CruzPro® CC-10



Solar Charge Regulator

Introduction

The CC-10 Pulse Width Modulated (PWM) charge controller senses battery voltage and regulates your charging source (solar panels or dumb charger). The CC-10 enables you to leave your charging source connected permanently without fear of damaging overcharges or excess electrolyte loss. You are assured you have a fully charged battery whenever you need it.

Specifications

Input Voltage: 21 VDC (or 42 VDC) Max. (unloaded solar panel)

Output Voltage: 13.6 VDC (or 27.2VDC) float voltage

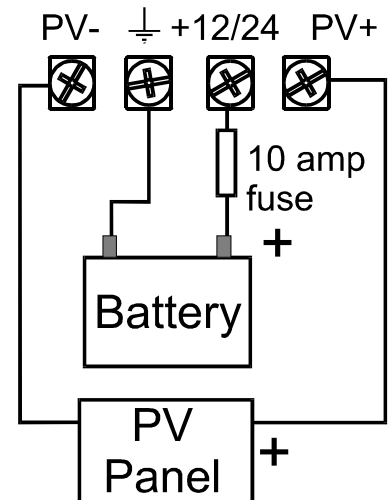
Maximum Current: 6 Amps continuous

©1999 BV Engineering CC10MAN-B
<http://www.cruzpro.com> Made in New Zealand

Installation

The CC10 is not water-proof and must be located in an area that will not get wet. Using the case back as a drill guide, drill two 2mm (3/32 inch) holes where indicated.

Mount the case back using the two stainless countersunk screws provided.



Connect the screw terminals as shown, connecting the "12V or 24V Battery (+)" wire last. Use a 10 amp fuse as shown for safety.

Introduction

The CC-10 Pulse Width Modulated (PWM) charge controller senses battery voltage and regulates your charging source (solar panels or dumb charger). The CC-10 enables you to leave your charging source connected permanently without fear of damaging overcharges or excess electrolyte loss. You are assured you have a fully charged battery whenever you need it.

Specifications

Input Voltage: 21 VDC (or 42 VDC) Max. (unloaded solar panel)

Output Voltage: 13.6 VDC (or 27.2VDC) float voltage

Maximum Current: 6 Amps continuous

©1999 BV Engineering

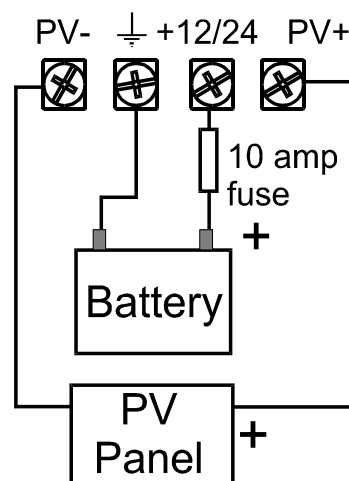
CC10MAN-B

<http://www.cruzpro.com>

Made in New Zealand

Installation

The CC10 is not water-proof and must be located in an area that will not get wet. Using the case back as a drill guide, drill two 2mm (3/32 inch) holes where indicated. Mount the case back using the two stainless countersunk screws provided.



Connect the screw terminals as shown, connecting the "12V or 24V Battery (+)" wire last. Use a 10 amp fuse as shown for safety.

Other CruzPro Products

- Depthsounder, Fishfinder, Active Transducers
- Speed/Log/w Water Temperature Display
- DC Volts/Amps/Amp-Hour Monitors
- AC Volts/Amps/Frequency/kW Monitor
- LPG/Petrol Gas Detectors/Alarms
- Bilge Water Detector/Alarms & Pump Controllers
- Windlass Controller/Chain Counter
- Digital Fuel Gauge/Consumption Calculator
- Smart and Manual Alternator Regulators
- Marine Security System
- RPM/Engine Hours/Elapsed Time Gauge
- Digital Oil Pressure Gauge/Alarm
- Digital Water Temperature Gauge/Alarm
- Digital Amps Gauge
- 3 Bank Digital Volts Gauge/Alarm
- Digital Clock/Watch/Race Timers/Alarms
- 8 and 16 Amp Light Dimmers
- Battery Voltage Monitors/Alarms
- Solar Panel Charge Controllers
- 4 & 8 Channel NMEA Combiners/RS-232 Convertors
- Engine/Exhaust Temperature Monitor/Alarm

Full details at <http://www.cruzpro.com>

Email to: info@cruzpro.com

CruzPro[®]

CC-10



Solar Charge Regulator